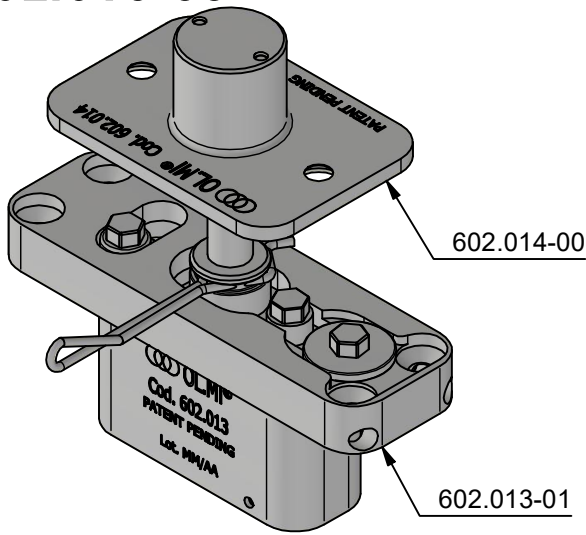






**CODE 602.015-00**



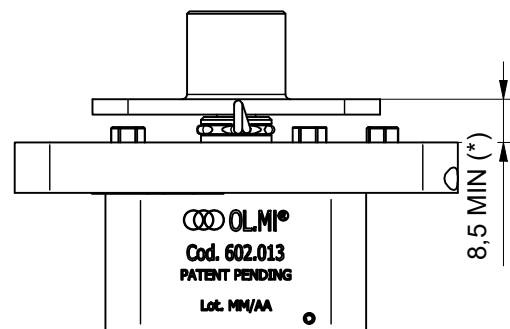
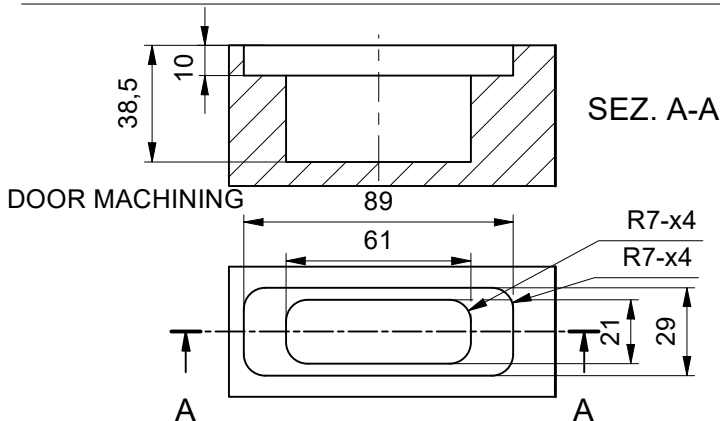
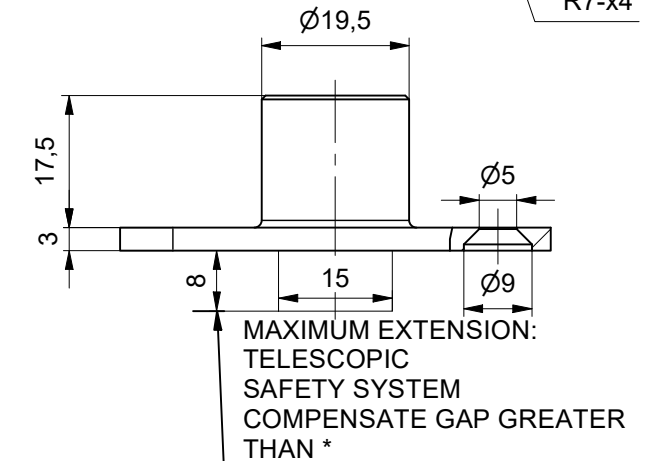
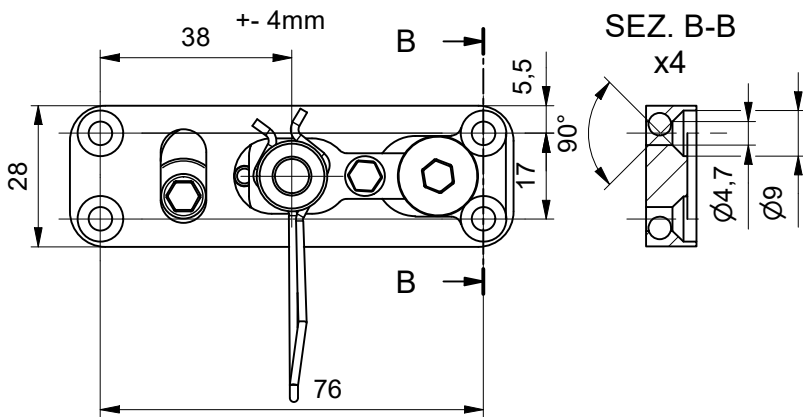
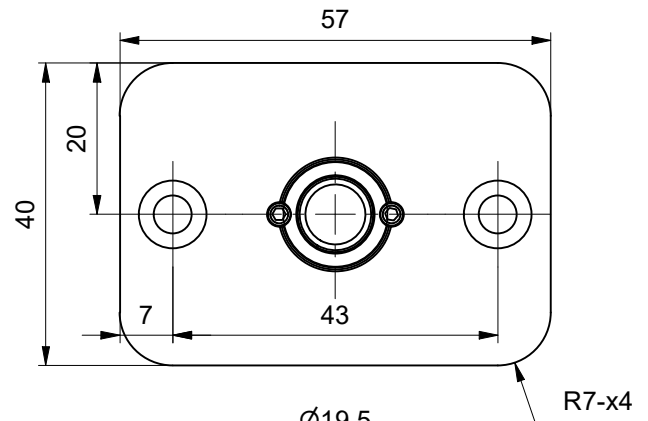
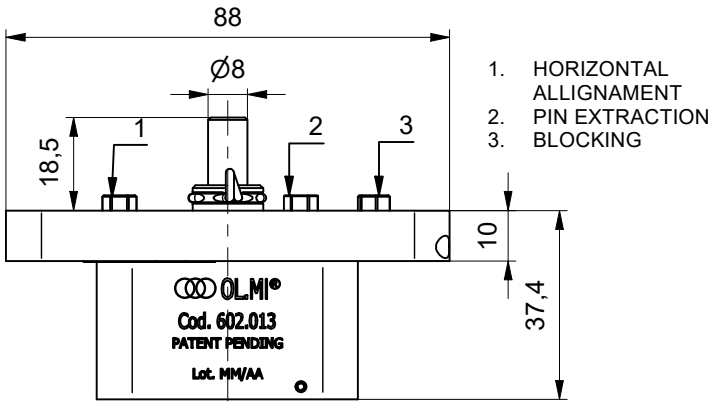
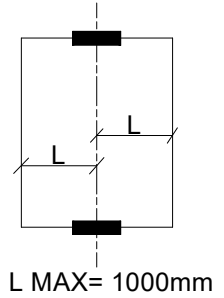
**DOOR WEIGHT**  
max. 120 kg

**FINISHING:**  
DEEP BLACK  
OXIDATION  
50 micron

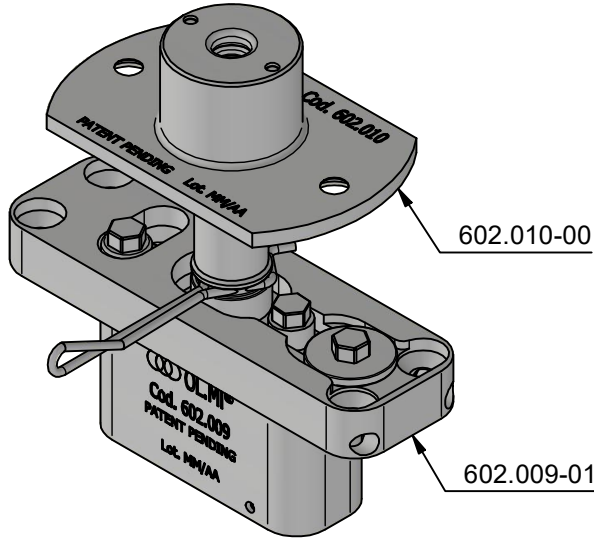
**DOOR  
HEIGHT**  
min. 1000 mm  
max. 3000 mm

**TEMP. RANGE**  
min. -15 °C  
max. +40 °C

**DOOR WIDTH**  
min. 500 mm  
max. 1200 mm



**CODE: 602.016-00**



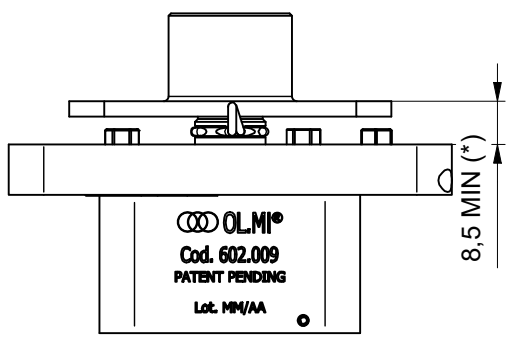
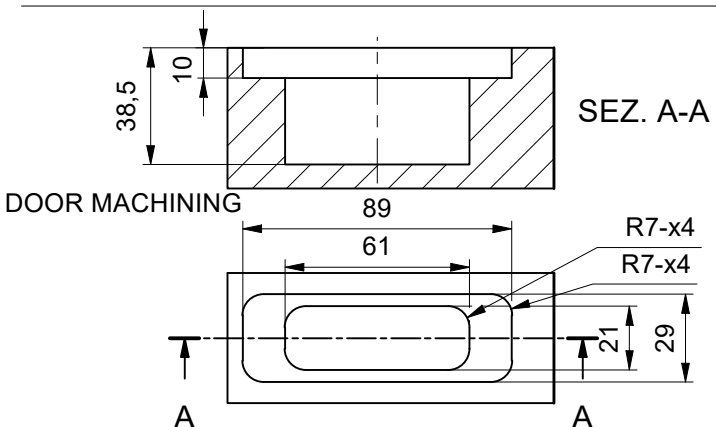
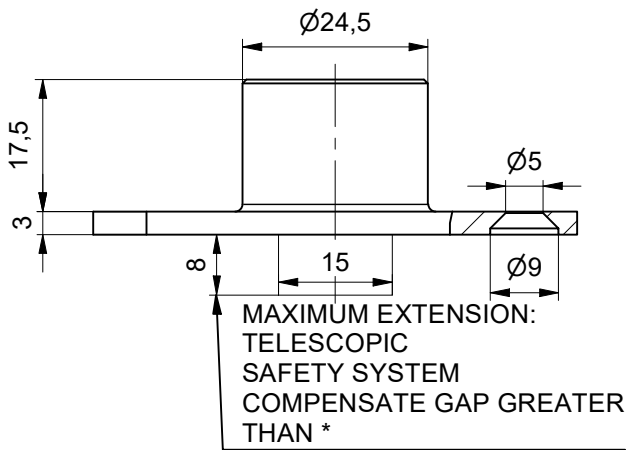
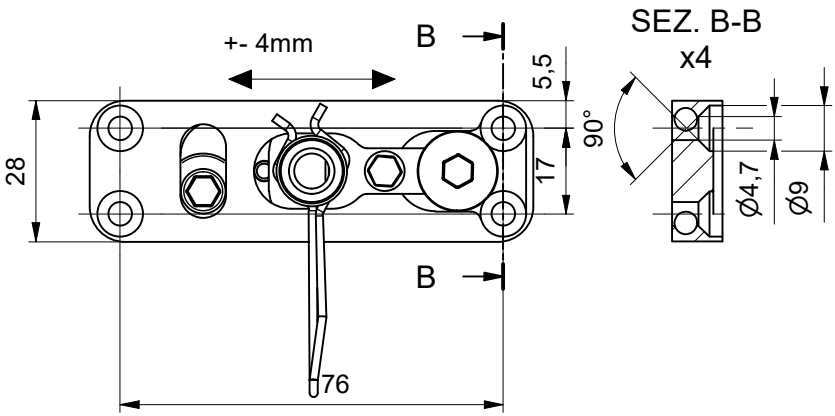
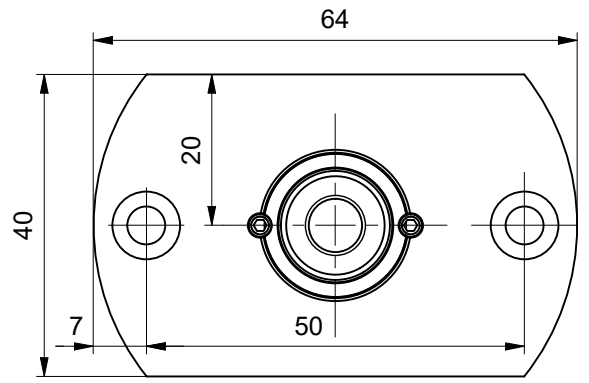
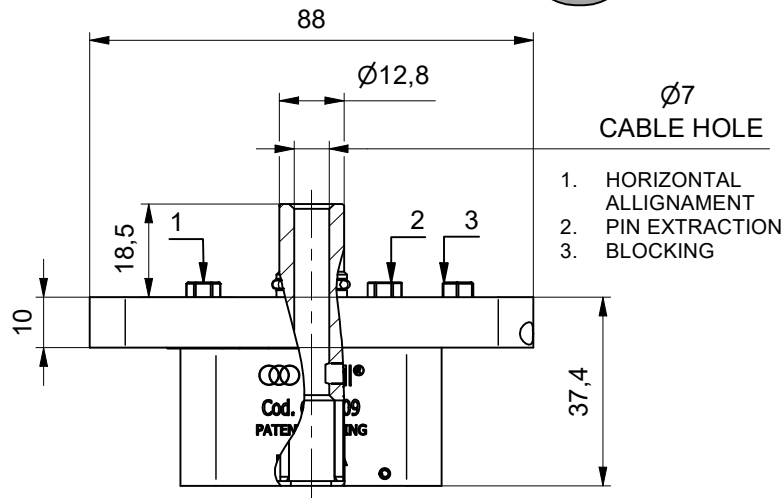
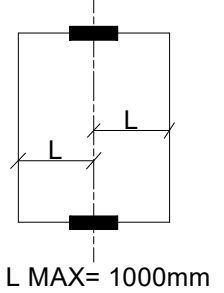
**DOOR WEIGHT**  
max. 120 kg

**FINISHING:**  
DEEP BLACK  
OXIDATION  
50 micron

**DOOR  
HEIGHT**  
min. 1000 mm  
max. 3000 mm

**TEMP. RANGE**  
min. -15 °C  
max. +40 °C

**DOOR WIDTH**  
min. 500 mm  
max. 1200 mm



THE PERFORMANCES INDICATED IN THE TECHNICAL DATASHEET ARE RELATED TO A PROPERLY DONE INSTALLATION

This document is the exclusive property of OL.MI s.r.l., by law, any reproduction or disclosure to third parties is prohibited.