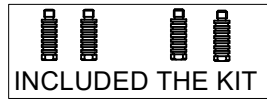
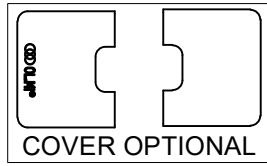


DOOR WEIGHT
max. 120 kg

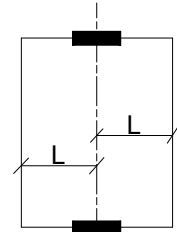
FINISHING:
DEEP BLACK
OXIDATION
50 micron

DOOR HEIGHT
min. 1000 mm
max. 3000 mm

TEMP. RANGE
min. -15 °C
max. +40 °C

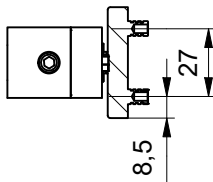


DOOR WIDTH
min. 500 mm
max. 1000 mm
*WIDTH UP TO 2m
DEPENDING AXEL
POSITION

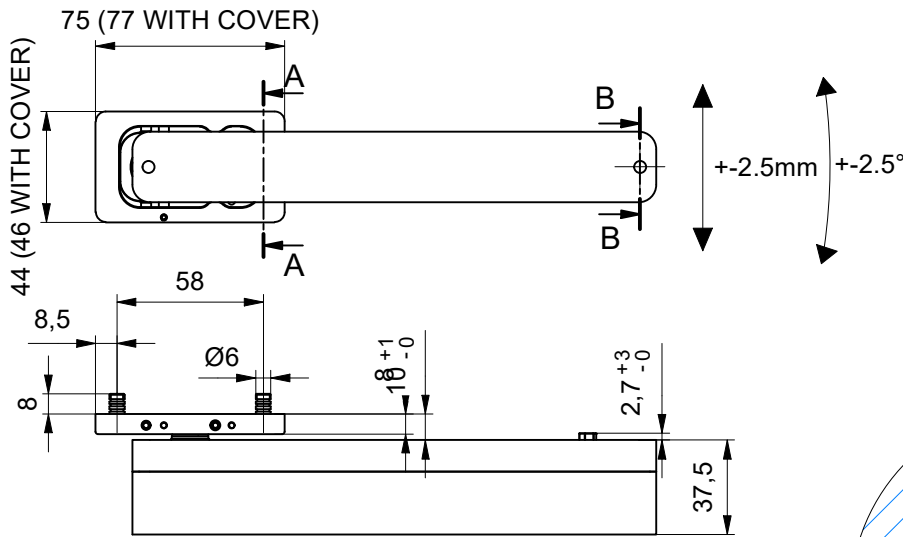
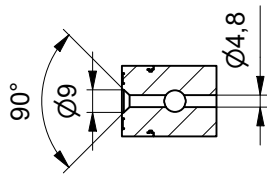


* L MAX= 1000mm

SEZ. A-A

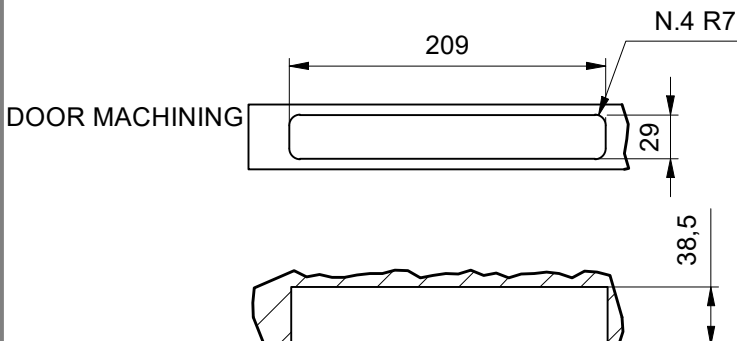
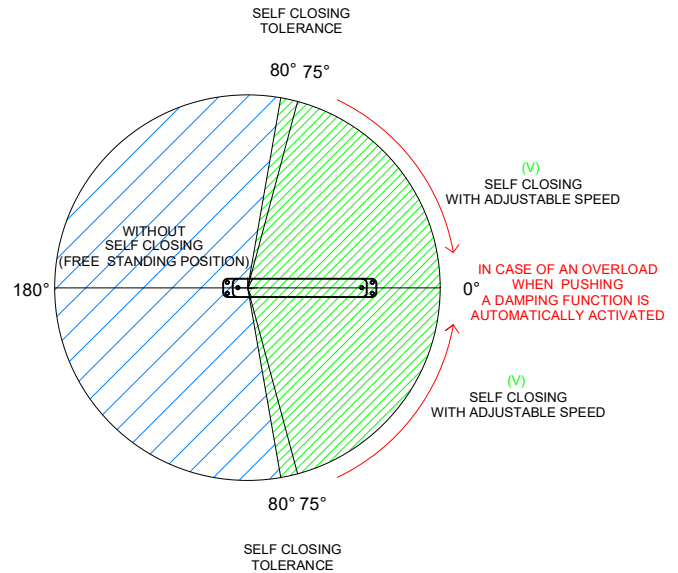
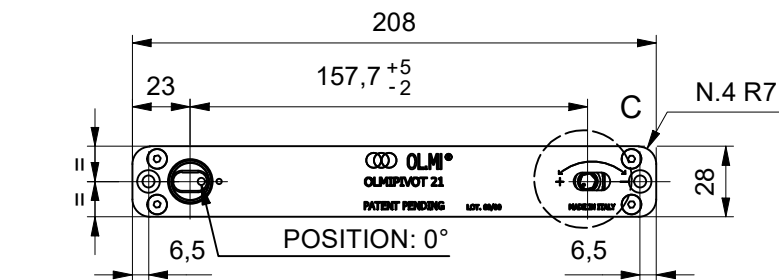


SEZ. B-B

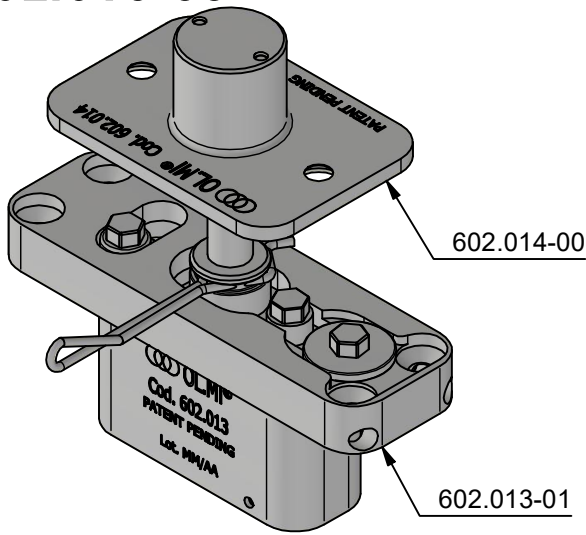


OLMIPIVOT 21 DOUBLE WAY
WITH HOLD AT 0° AND +/-90°

code:500.666-03



CODE 602.015-00



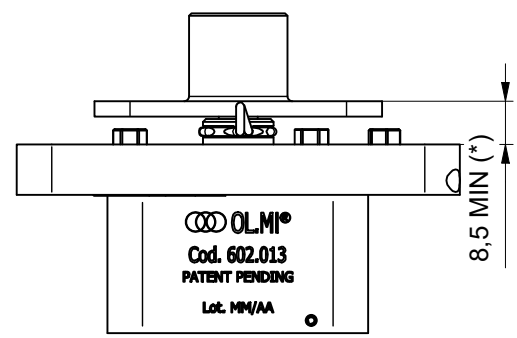
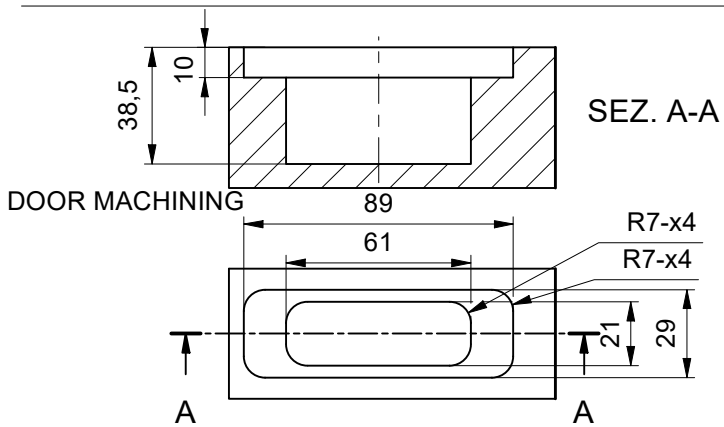
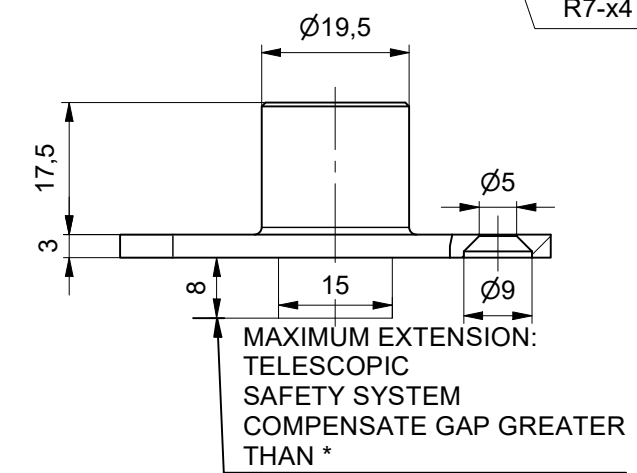
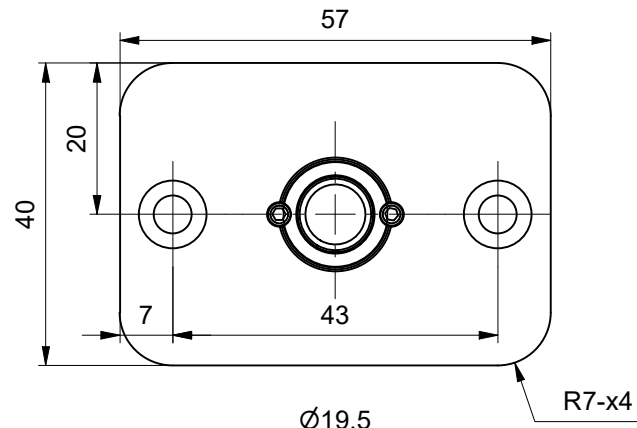
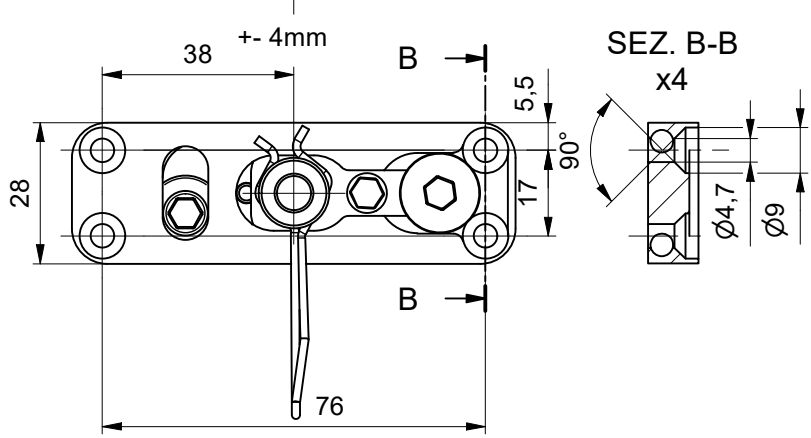
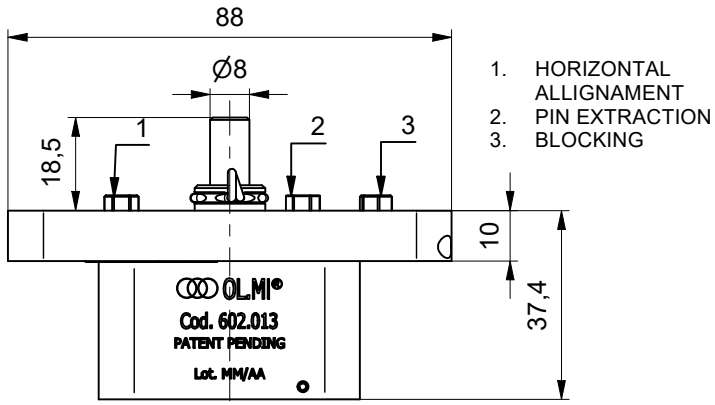
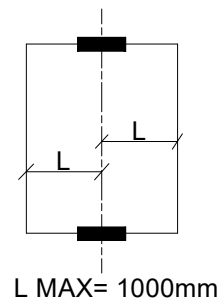
DOOR WEIGHT
max. 120 kg

FINISHING:
DEEP BLACK
OXIDATION
50 micron

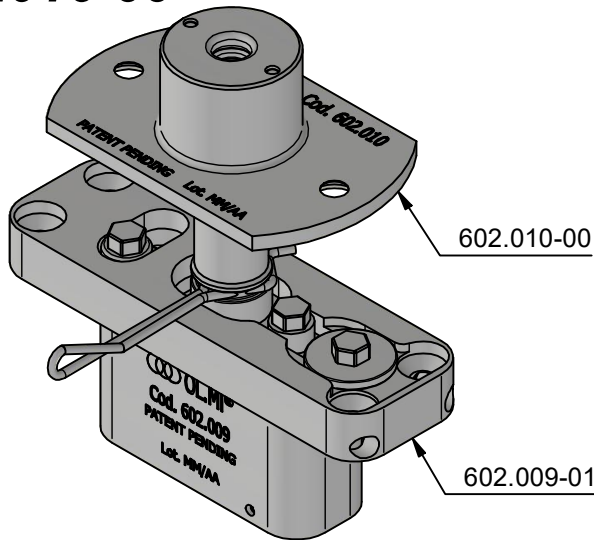
**DOOR
HEIGHT**
min. 1000 mm
max. 3000 mm

TEMP. RANGE
min. -15 °C
max. +40 °C

DOOR WIDTH
min. 500 mm
max. 1200 mm



CODE: 602.016-00



DOOR WEIGHT
max. 120 kg

FINISHING:
DEEP BLACK
OXIDATION
50 micron

**DOOR
HEIGHT**
min. 1000 mm
max. 3000 mm

TEMP. RANGE
min. -15 °C
max. +40 °C

DOOR WIDTH
min. 500 mm
max. 1200 mm

