

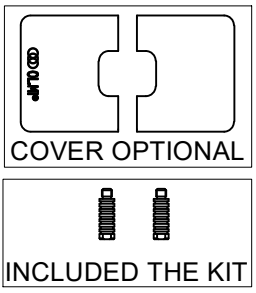
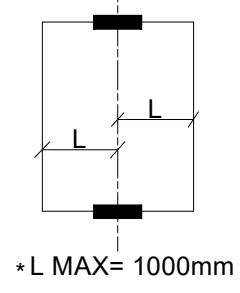
**DOOR WEIGHT**  
max. 120 kg

**FINISHING:**  
DEEP BLACK  
OXIDATION  
50 micron

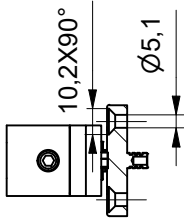
**DOOR HEIGHT**  
min. 1000 mm  
max. 3000 mm

**TEMP. RANGE**  
min. -15 °C  
max. +40 °C

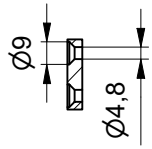
**DOOR WIDTH**  
min. 500 mm  
max. 1000 mm  
\*WIDTH UP TO 2m  
DEPENDING AXEL  
POSITION



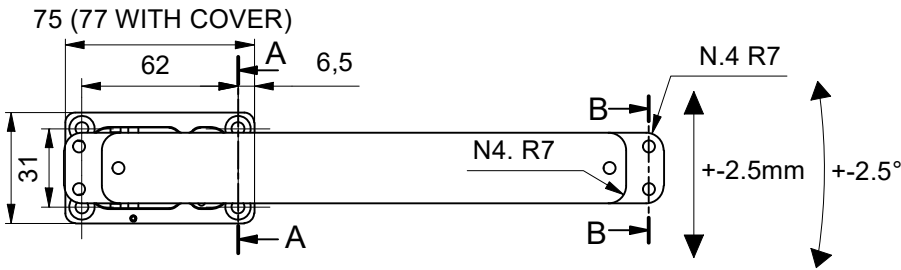
SEZ. A-A



SEZ. B-B

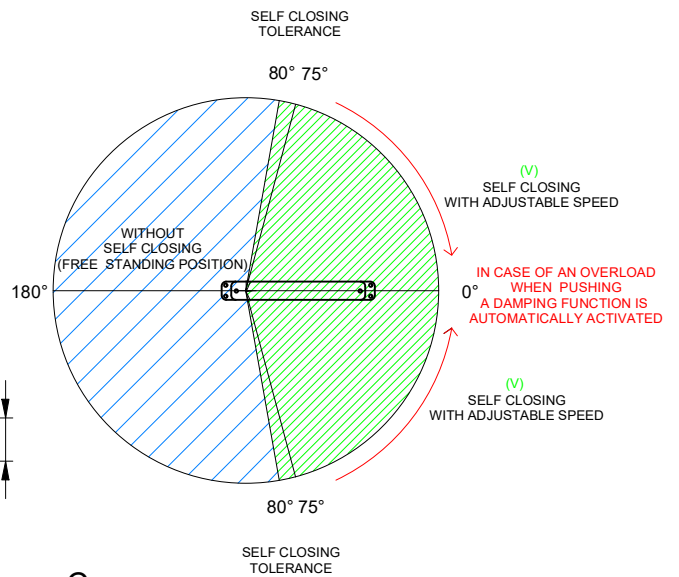
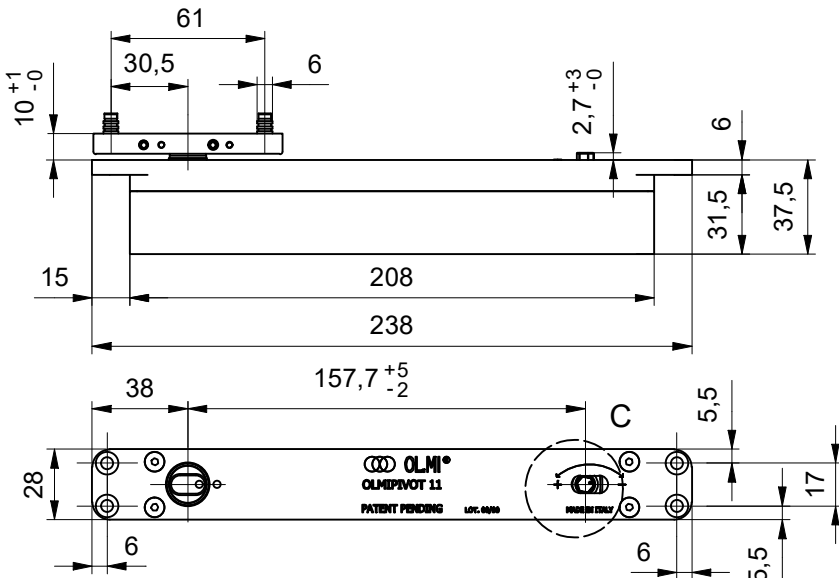


44 (46 WITH COVER)

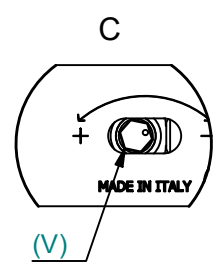
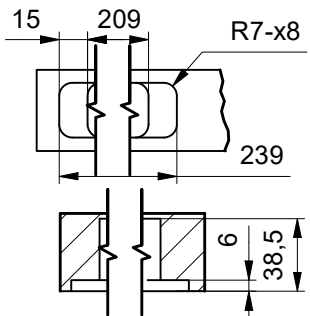


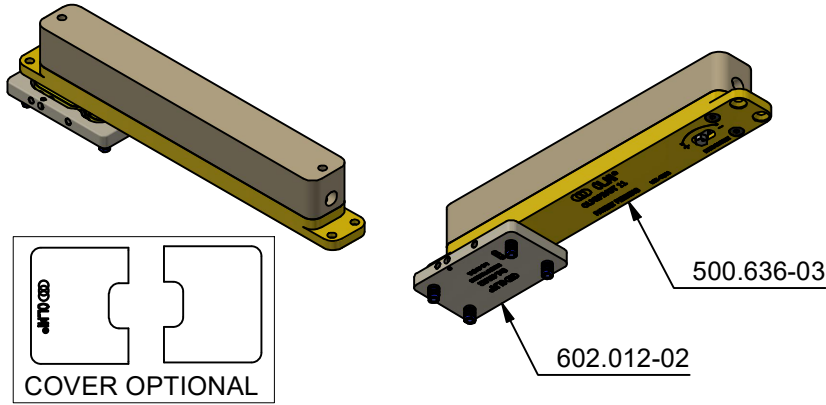
OLMIPIVOT 11 DOUBLE WAY  
WITH HOLD AT 0° AND +/-90°

**code: 500.662-03**



DOOR MACHINING





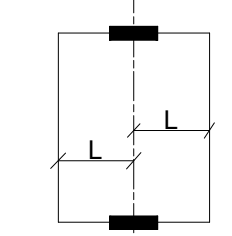
**DOOR WEIGHT**  
max. 120 kg

**FINISHING:**  
DEEP BLACK  
OXIDATION  
50 micron

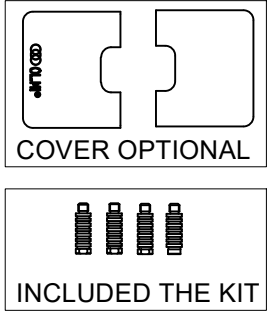
**DOOR HEIGHT**  
min. 1000 mm  
max. 3000 mm

**TEMP. RANGE**  
min. -15 °C  
max. +40 °C

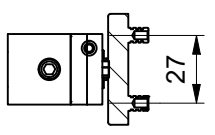
**DOOR WIDTH**  
min. 500 mm  
max. 1000 mm  
\*WIDTH UP TO 2m  
DEPENDING AXEL  
POSITION



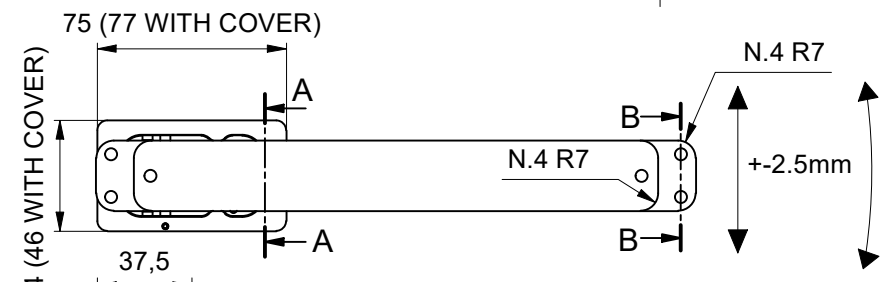
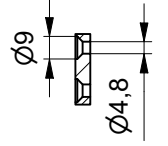
\* L MAX= 1000mm



SEZ. A-A

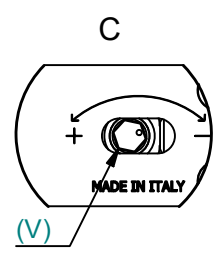
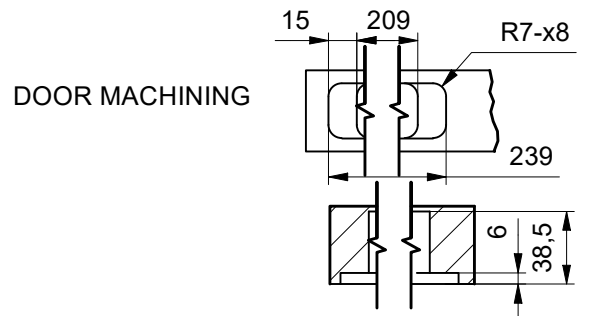
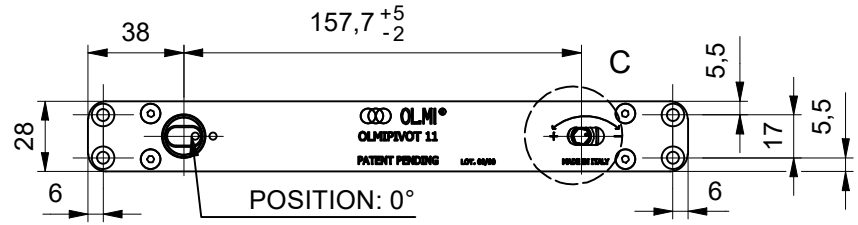
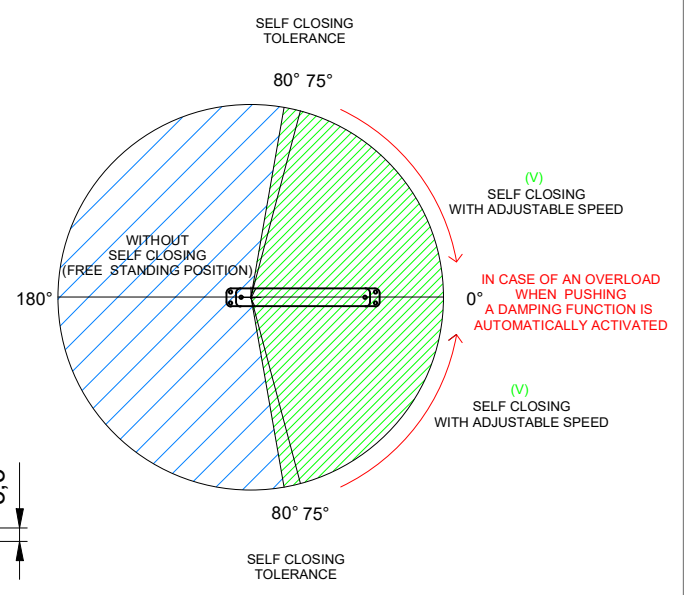
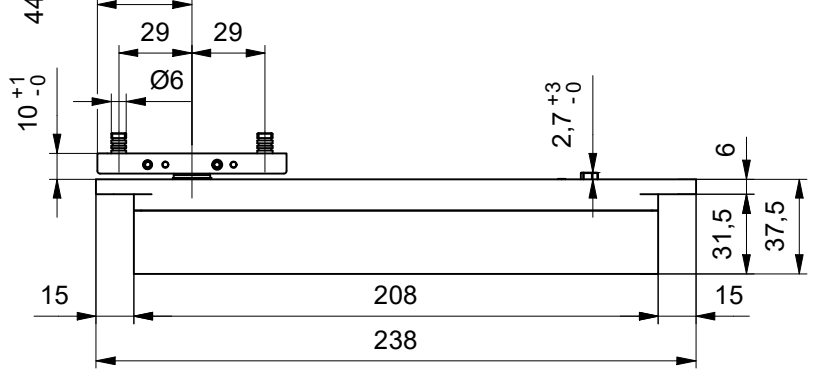


SEZ. B-B

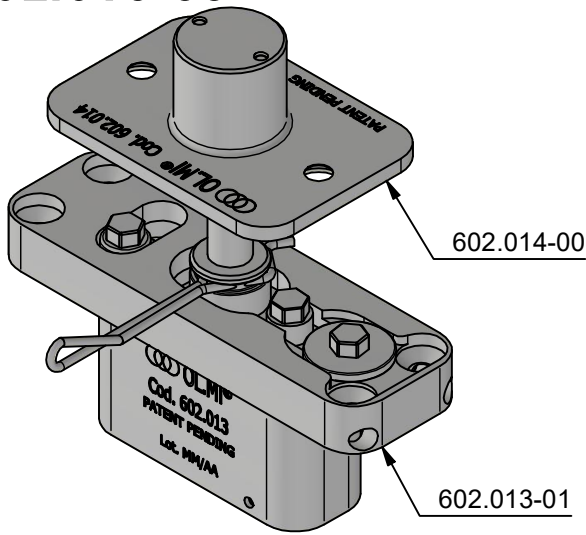


OLMIPIVOT 11 DOUBLE WAY  
WITH HOLD AT 0° AND +/-90°

**code: 500.665-03**



**CODE 602.015-00**



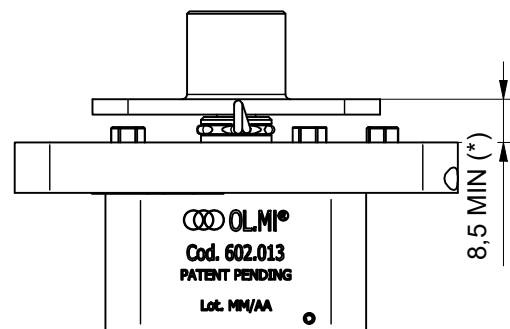
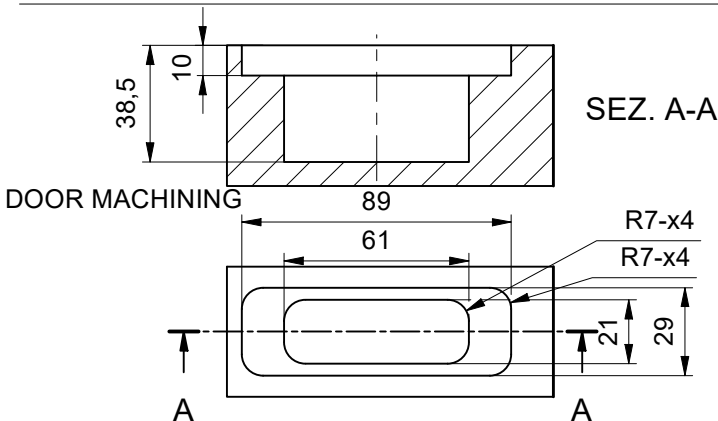
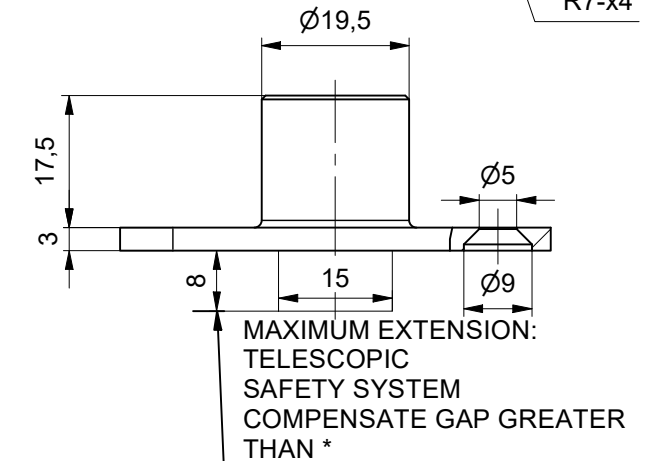
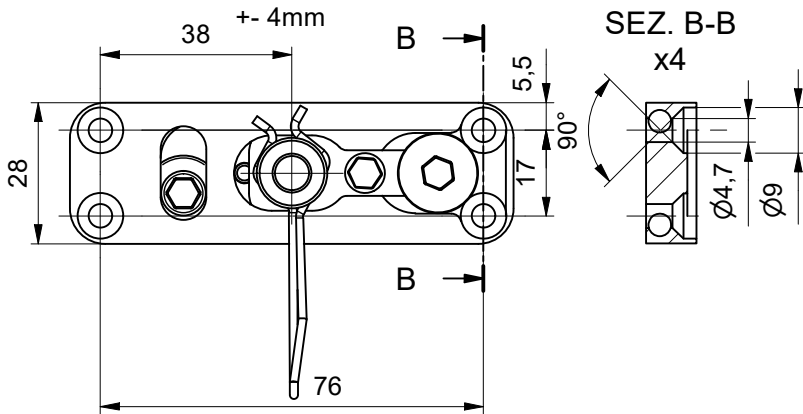
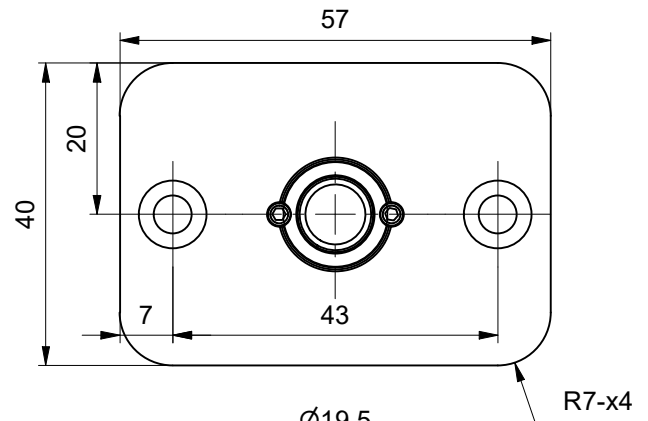
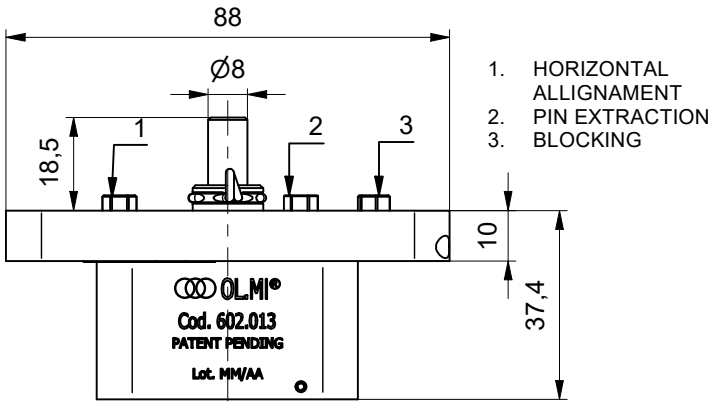
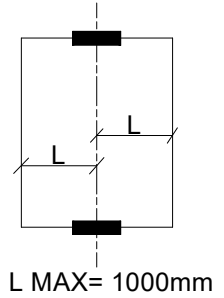
**DOOR WEIGHT**  
max. 120 kg

**FINISHING:**  
DEEP BLACK  
OXIDATION  
50 micron

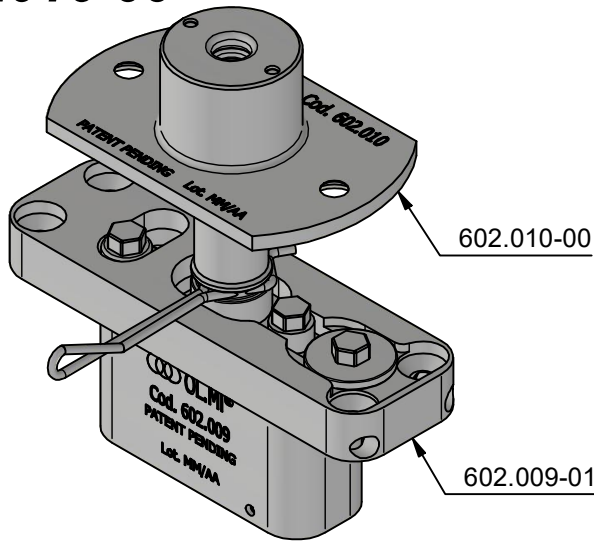
**DOOR  
HEIGHT**  
min. 1000 mm  
max. 3000 mm

**TEMP. RANGE**  
min. -15 °C  
max. +40 °C

**DOOR WIDTH**  
min. 500 mm  
max. 1200 mm



**CODE: 602.016-00**



**DOOR WEIGHT**  
max. 120 kg

**FINISHING:**  
DEEP BLACK  
OXIDATION  
50 micron

**DOOR  
HEIGHT**  
min. 1000 mm  
max. 3000 mm

**TEMP. RANGE**  
min. -15 °C  
max. +40 °C

**DOOR WIDTH**  
min. 500 mm  
max. 1200 mm

