



OLMIPIVOT


**PIVOT HINGE KIT FOR WOOD
AND METAL FRAME DOORS**

JUST INSTALL AND FORGET.

A TECHNICAL SOLUTION FOR ARCHITECTURAL PIVOT DOORS

A **concealed pivot system** designed for **flush-mounted wooden and metal frame doors**. OLMPIVOT - a concentration of advanced technology- enables smooth, precise rotational movement and integrates an **adjustable self-closing feature** with a 90° hold function.

Pivot disappears into the essence of the door, letting design and materials become the true protagonists of the space.



JUST
INSTALL
AND
FORGET.

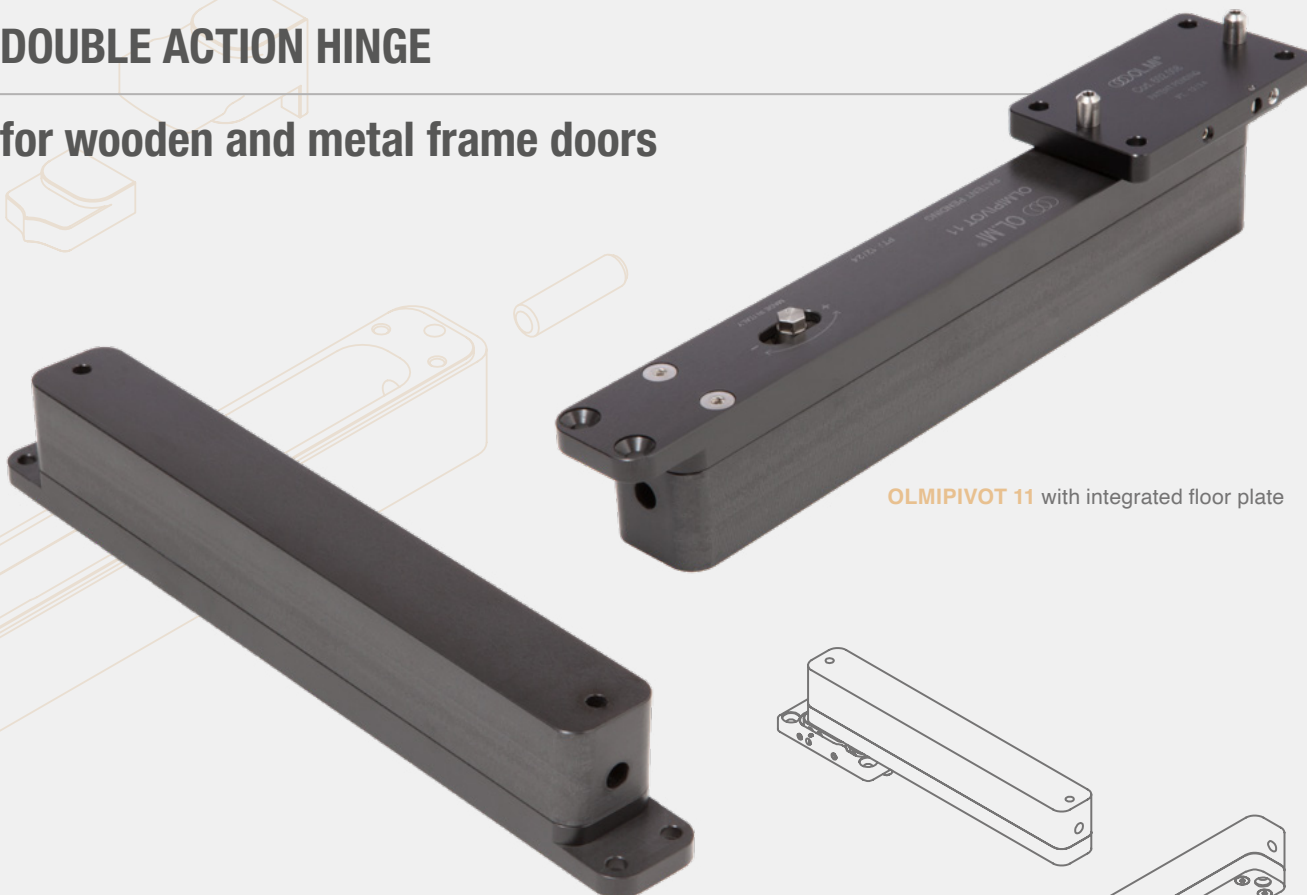
MINIMAL DETAILS, MAXIMUM IMPACT.

OLMIPIVOT 11

OLMIPIVOT 21

DOUBLE ACTION HINGE

for wooden and metal frame doors



OLMIPIVOT 11 with integrated floor plate

OLMIPIVOT 21 with integrated floor plate

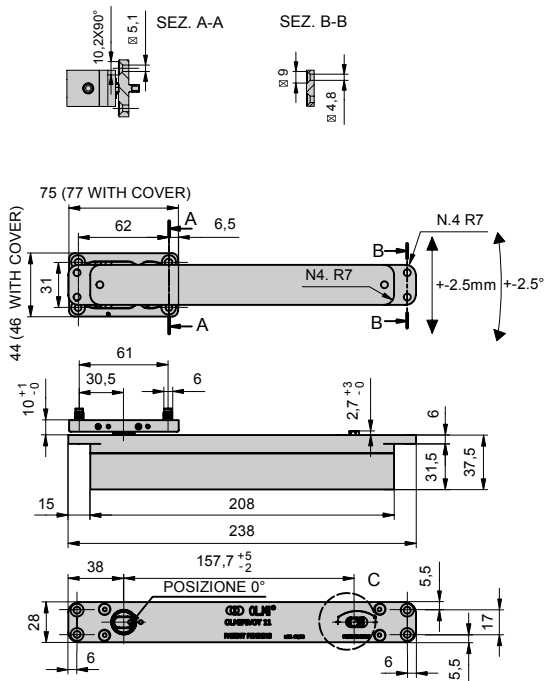
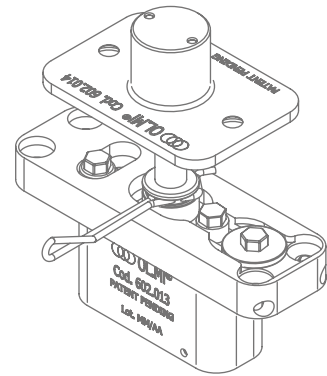
- Hold at 0° and +/- 90°.
- Self-closing mechanism with adjustable speed.
- Integrated damper for a safe, smooth and silent closing.
- Maximum door weight: 120 kg
- Door height: 1000 mm (min.) / 3000 mm (max.)
- Door width: 500 mm (min.) / 1000 mm (max.) - up to 2000 mm depending on pivot axis position
- Black finish with 50-micron deep oxidation.



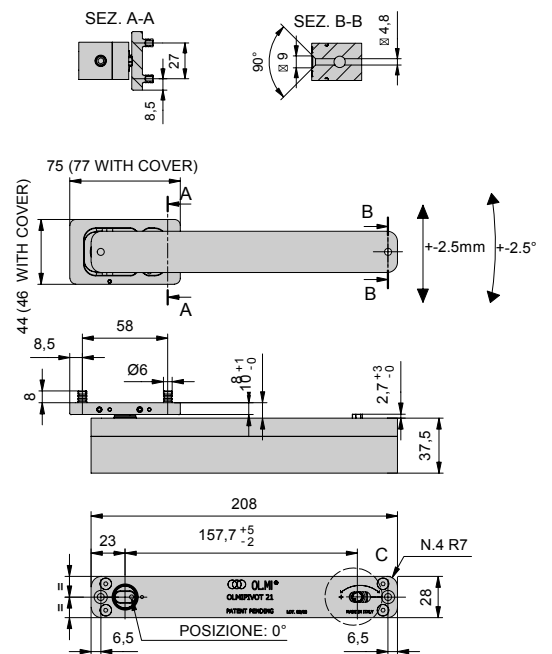
TOP PIVOT D13
with cable hole



TOP PIVOT D8



OLMIPIVOT 11



OLMIPIVOT 21



JUST INSTALL AND FORGET.

MINIMAL DETAILS, MAXIMUM IMPACT.

OL.MI®

OL.MI Srl

+39 045 6450621 / info@olmisrl.com

Via dell'industria, 15 - Castelnuovo del Garda VR

www.olmisrl.com

