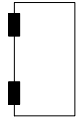


TEMP. RANGE  
min. -15 °C  
max. +40 °C

FINISHING:  
DEEP BLACK  
OXIDATION  
50 micron

LEFT HAND



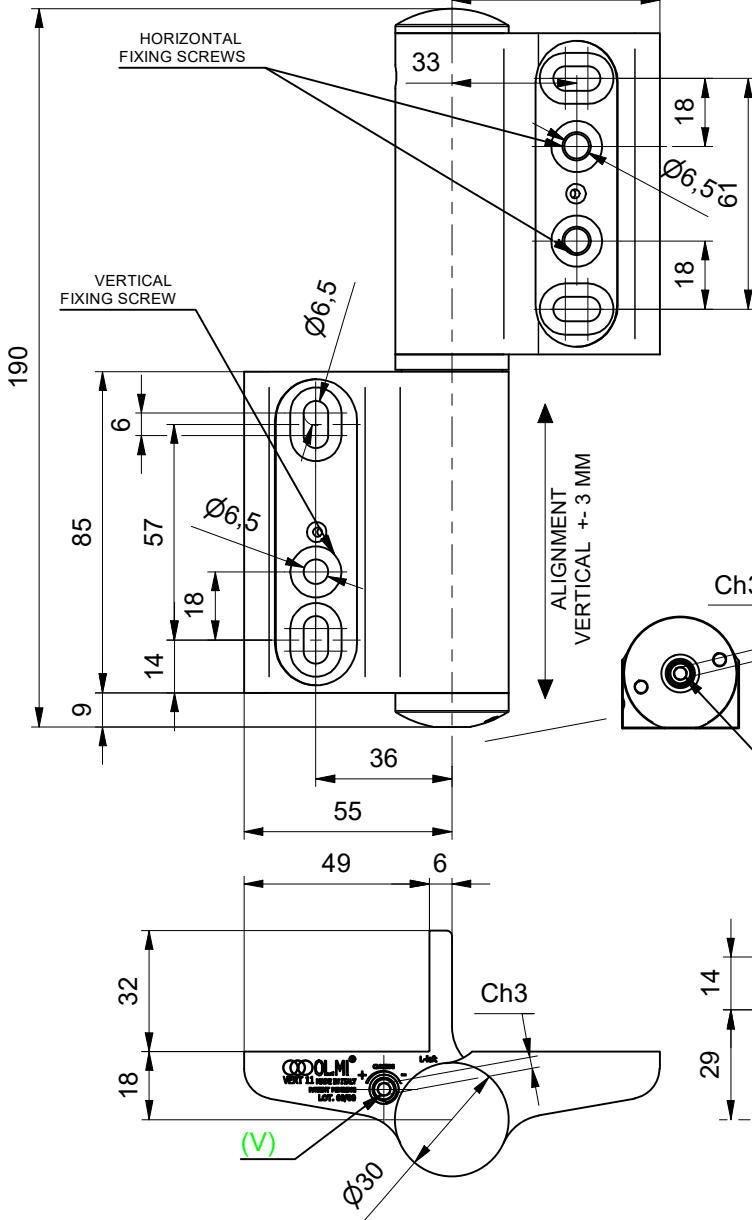
**GATE WITH TWO HYDRAULIC HINGES (CM)**

Hinge distance: 900 min.  
Gate width: MAX. 1200mm  
Gate weight: MAX. 150 kg

**GATE WITH ONE HYDRAULIC (CM) AND ONE DUMMY HINGE (SM)**

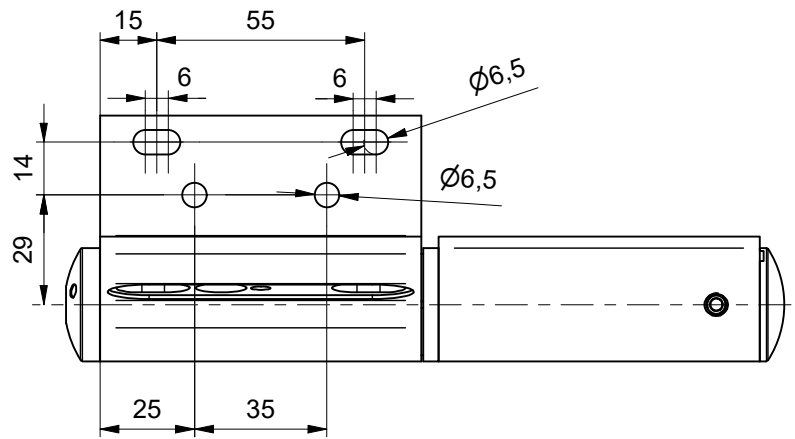
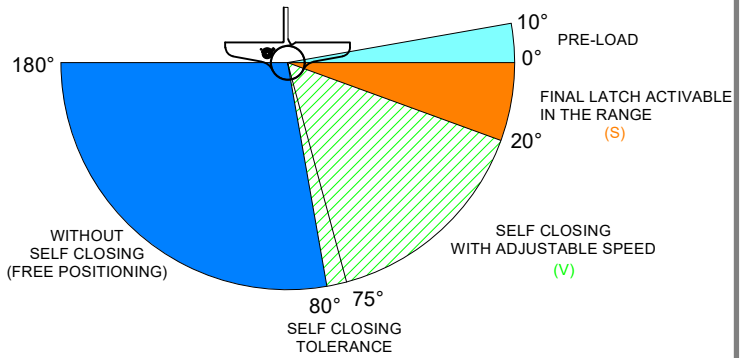
Hinge distance: 500 min.  
Gate width: MAX. 1000mm  
Gate weight: MAX. 80 kg

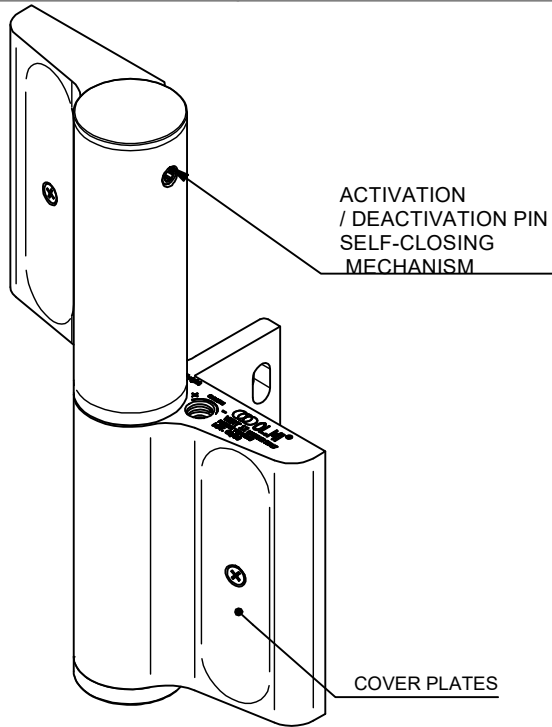
HORIZONTAL ALIGNMENT  
+/- 3 MM  
55



**OLMIVERT 11 - LEFT HAND WITH HOLD OPEN**

**500.723**

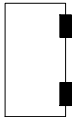




TEMP. RANGE  
min. -15 °C  
max. +40 °C

FINISHING:  
DEEP BLACK  
OXIDATION  
50 micron

RIGHT HAND

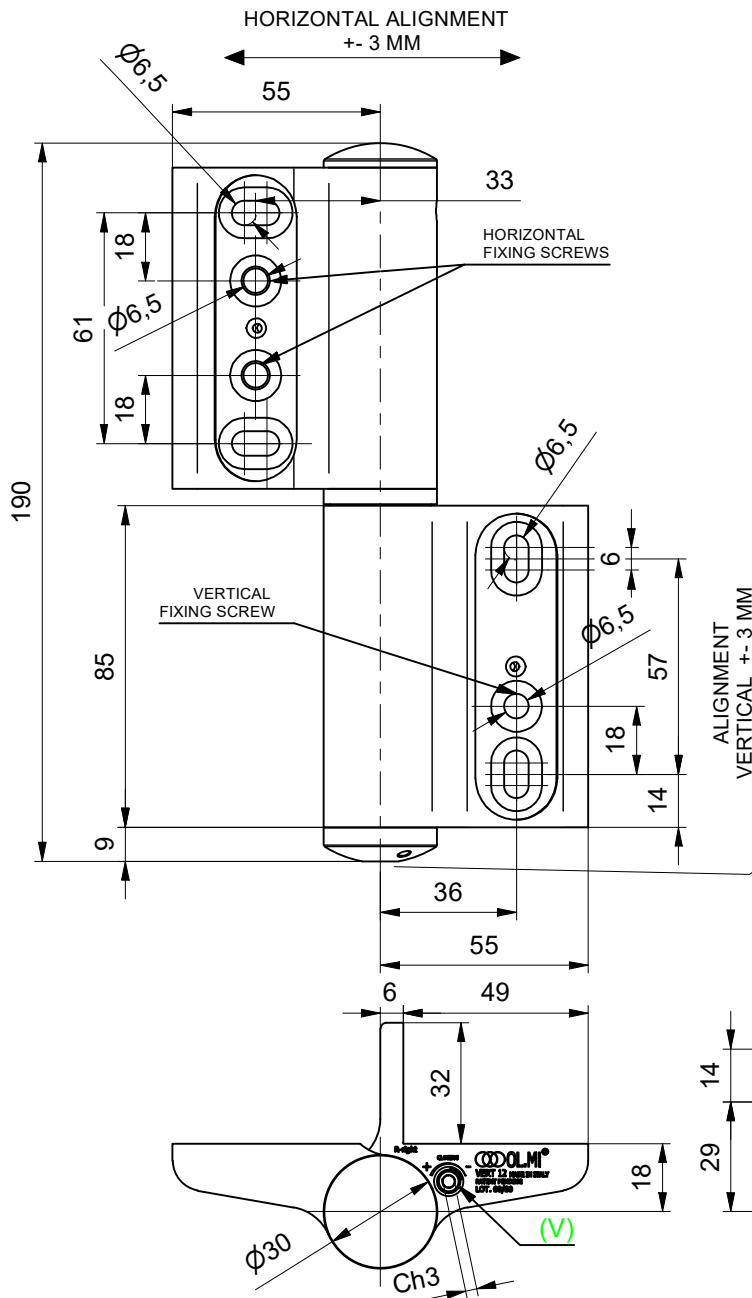


**GATE WITH TWO HYDRAULIC HINGES (CM)**

Hinge distance: 900 min.  
Gate width: MAX. 1200mm  
Gate weight: MAX. 150 kg

**GATE WITH ONE HYDRAULIC (CM) AND ONE DUMMY HINGE (SM)**

Hinge distance: 500 min.  
Gate width: MAX. 1000mm  
Gate weight: MAX. 80 kg



**OLMIVERT 12 - RIGHT HAND WITHOUT HOLD OPEN**

**500.714**

