

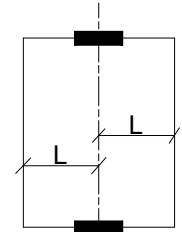
**DOOR WEIGHT**  
max. 120 kg

**FINISHING:**  
DEEP BLACK  
OXIDATION  
50 micron

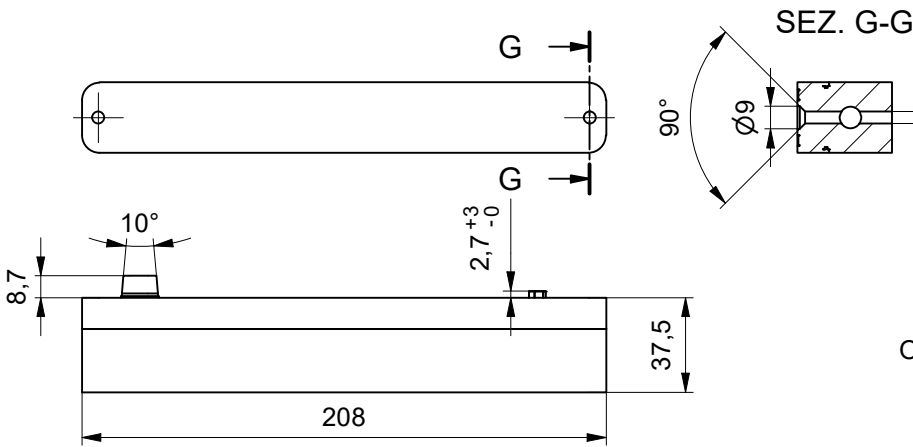
**DOOR HEIGHT**  
min. 1000 mm  
max. 3000 mm

**TEMP. RANGE**  
min. -15 °C  
max. +40 °C

**DOOR WIDTH**  
min. 500 mm  
max. 1000 mm  
\*WIDTH UP TO 2m  
DEPENDING AXEL  
POSITION

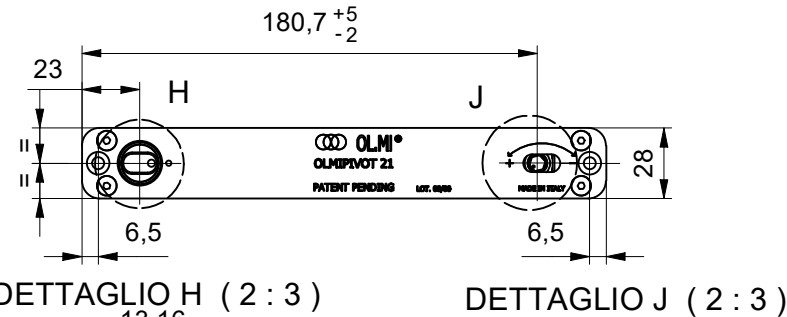


\* L MAX= 1000mm



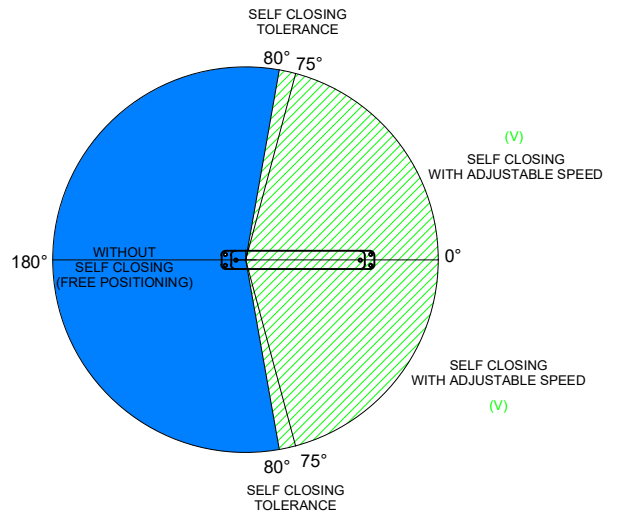
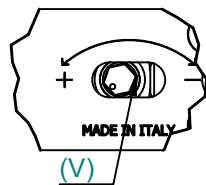
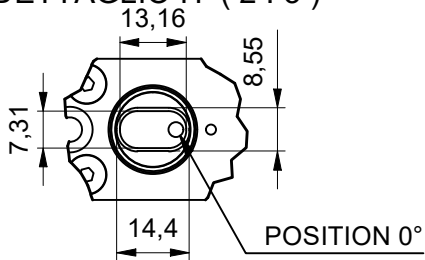
**OLMIPIVOT 21 - DOUBLE WAY  
WITH HOLD OPEN AT 90°**

**code:500.663-03**



**DETTAGLIO H ( 2 : 3 )**

**DETTAGLIO J ( 2 : 3 )**



**DOOR MACHINING**

