



OLMIPIVOT

PIVOT HINGE KIT


FOR WOOD AND METAL DOORS

JUST INSTALL AND FORGET.

A TECHNICAL SOLUTION FOR ARCHITECTURAL PIVOT DOORS

A **concealed pivot system** designed for **flush-mounted wooden and metal doors**. OLMPIVOT - a concentration of advanced technology- enables smooth, precise rotational movement and integrates an **adjustable self-closing feature** with a 90° hold-open function.

Pivot disappears into the essence of the door, letting design and materials become the true protagonists of the space.



**JUST
INSTALL
AND
FORGET.**

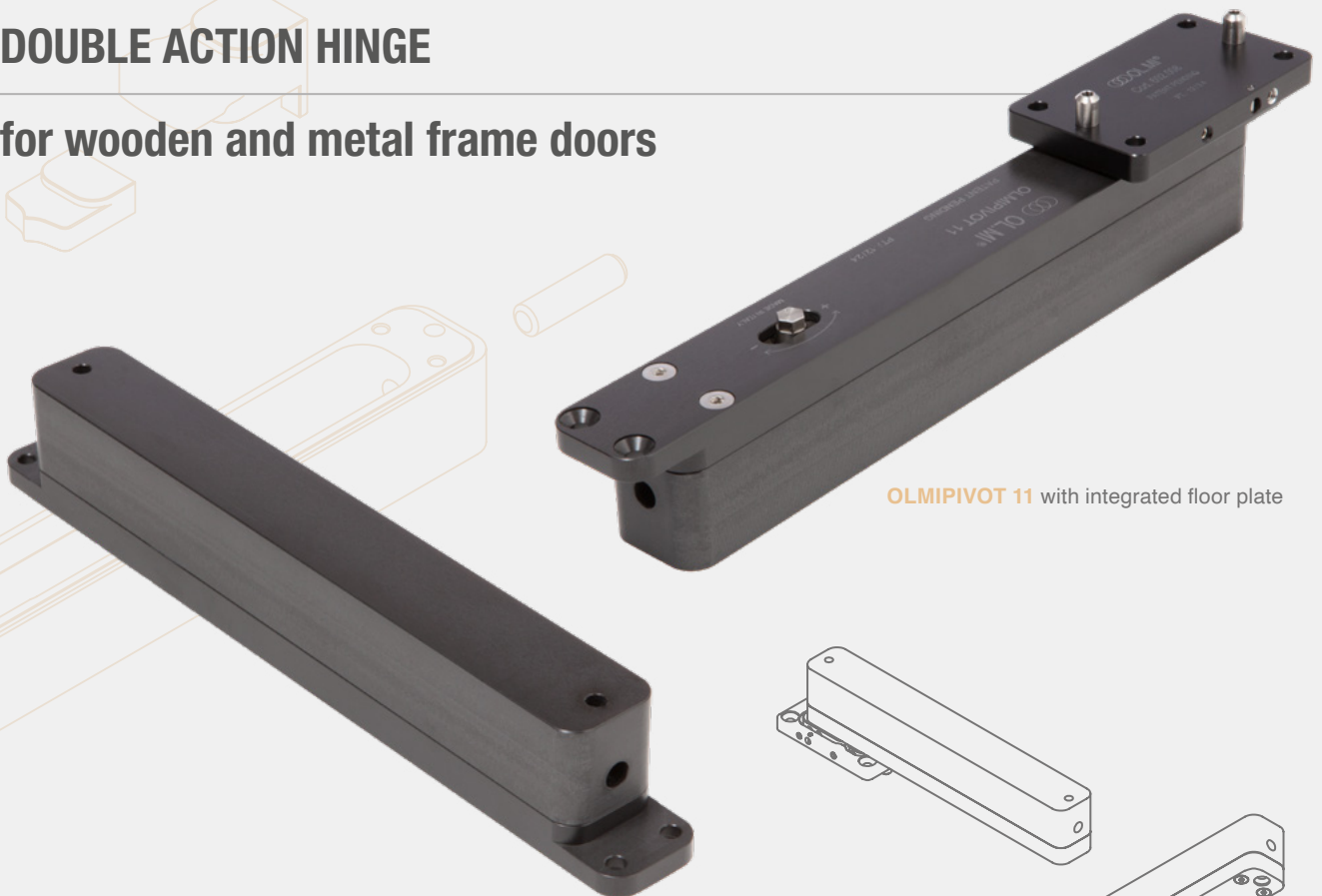
MINIMAL DETAILS, MAXIMUM IMPACT.

OLMIPIVOT 11

OLMIPIVOT 21

DOUBLE ACTION HINGE

for wooden and metal frame doors



OLMIPIVOT 11 with integrated floor plate

OLMIPIVOT 21 with integrated floor plate

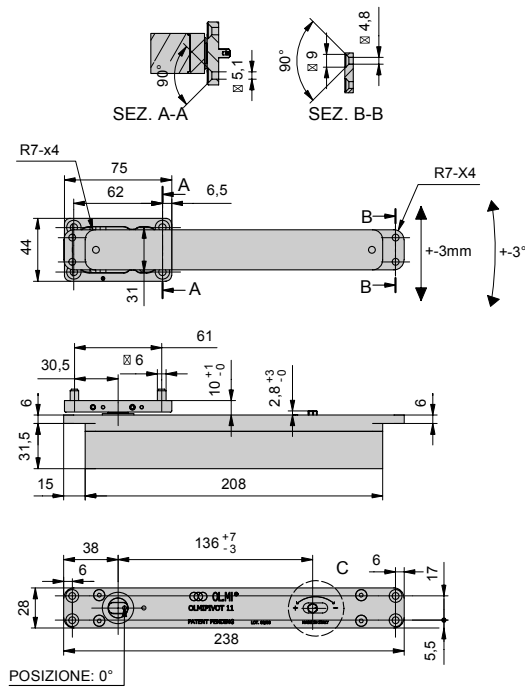
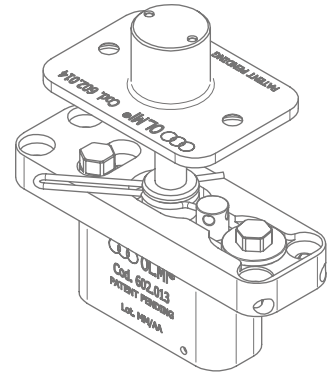
- 90° hold-open mechanism.
- Self-closing mechanism with adjustable speed.
- Integrated damper for a smooth and silent closing.
- Maximum door weight: 120 kg
- Door height: 1000 mm (min.) / 3000 mm (max.)
- Door width: 500 mm (min.) / 1000 mm (max.) - up to 2000 mm depending on pivot axis position
- Black finish with 50-micron deep oxidation.



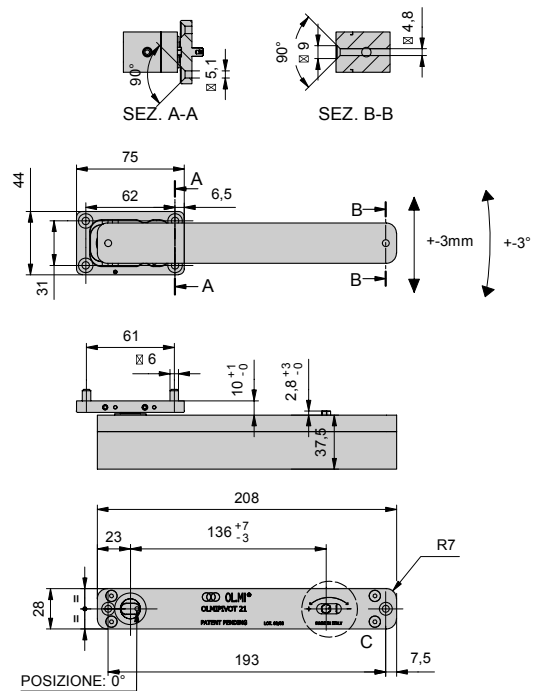
TOP PIVOT D13
with cable hole



TOP PIVOT D8



OLMPIVOT 11



OLMPIVOT 21

JUST INSTALL AND FORGET.

MINIMAL DETAILS, MAXIMUM IMPACT.

OL.MI Srl

+39 045 6450621 / info@olmisrl.com

Via dell'industria, 15 - Castelnuovo del Garda VR

www.olmisrl.com

